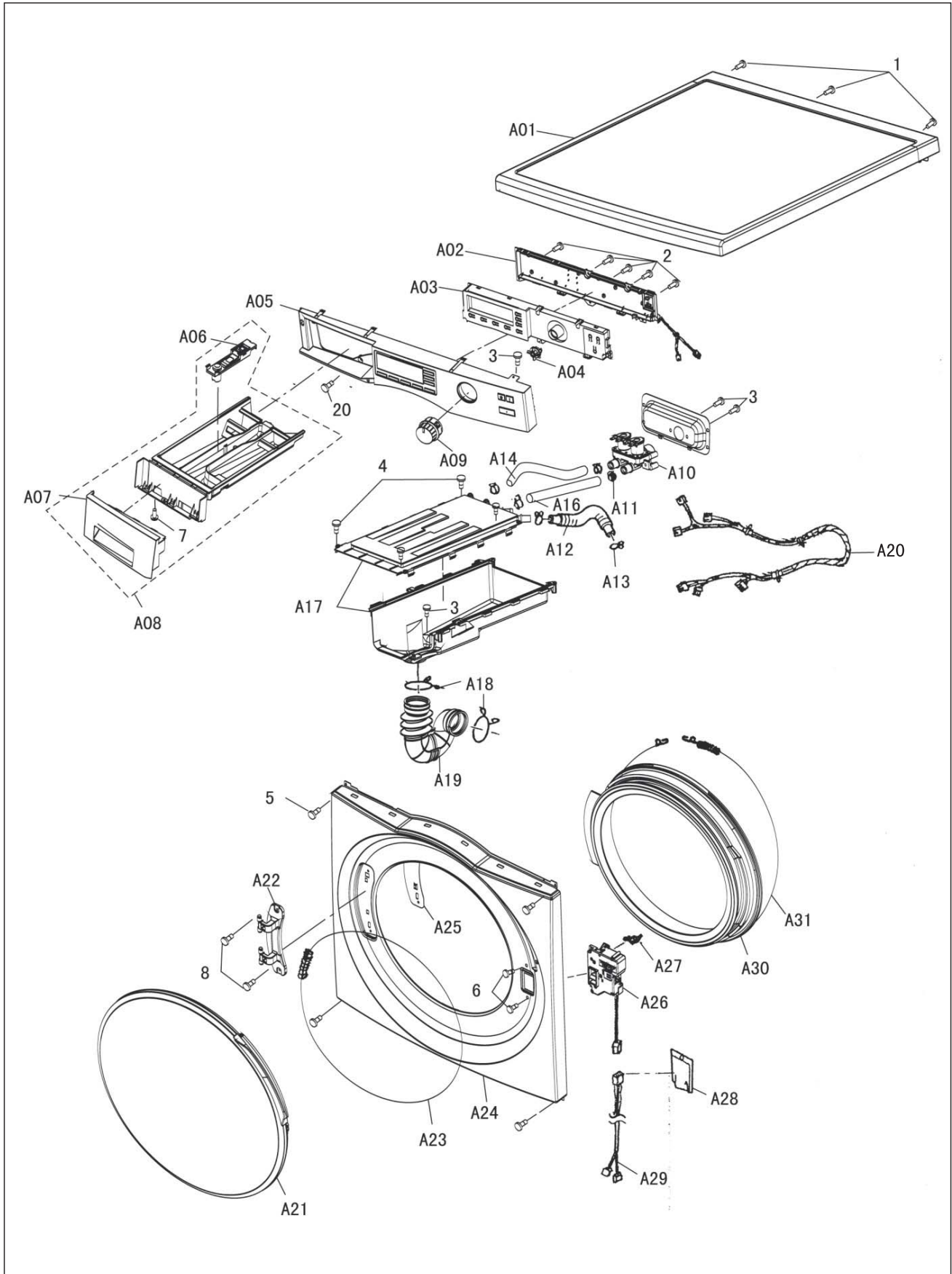


5.LOCATION OF PART-A



REPLACEMENT PARTS LIST-A

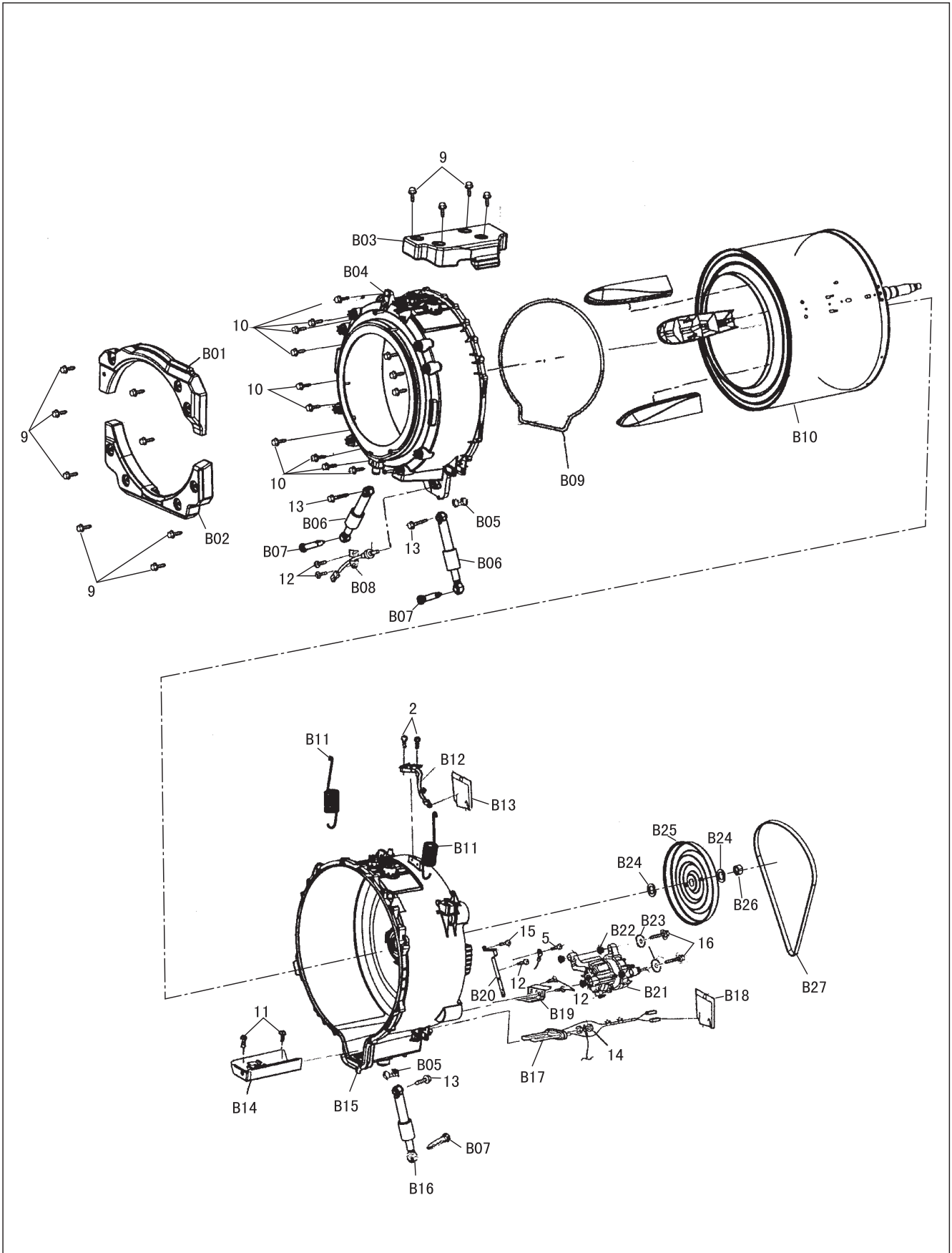
(U):U indicates parts at the remarks that can be replaced by user.

△:Components identified by △ Mark have special characteristics important for safety.

When replacing any of these components use only manufacture's specified parts.

Ref. No.	Description	Part No.	Q'ty	Model No.			Remarks
				140VG4	168VG4	148VG4	
A01	TOP BOARD	AXW11NB7SR0	1	○	○	○	(U)
A02	CONTROLLER UNIT A	AXW24S-8CW0	1	○	○	○	△
A03	CONTROLLER PLATE	AXW146-8CW0	1	○	×	○	Includes A04
		AXW146-8CX0	1	×	○	×	
A04	KNOB PLATE	AXW336B7SR0	1	○	○	○	
A05	PANEL FACE BOARD UNIT	AXW1J-8CX0	1	×	○	○	GERMANY
		AXW1J-8FG0	1	×	○	○	UK/POLAND/SWEDEN/DENMARK
		AXW1J-8FK0	1	×	×	○	FRANCE
		AXW1J-8FM0	1	×	×	○	SPAIN
		AXW1J-8FP0	1	×	×	○	ITALY
		AXW1J-8CW0	1	○	×	×	GERMANY
		AXW1J-8FF0	1	○	×	×	UK/POLAND
		AXW1J-8FJ0	1	○	×	×	FRANCE
		AXW1J-8FL0	1	○	×	×	SPAIN
		AXW1J-8FN0	1	○	×	×	ITALY
A06	SOFTENER CASE CAP	AXW2177A7SR5	1	○	○	○	(U)
A07	PANEL FACE C	AXW147B8CW0	1	○	×	×	(U)
		AXW147B8CX0	1	×	○	×	(U)
		AXW147B8CY0	1	×	×	○	(U)
A08	RINSE CASE UNIT	AXW21DB8CW0	1	○	×	×	(U)Includes A06,A07
		AXW21DB8CX0	1	×	○	×	(U)Includes A06,A07
		AXW21DB8CY0	1	×	×	○	(U)Includes A06,A07
A09	COURSE SELECT KNOB	AXW6C-8CW0	1	○	○	○	
A10	FEED VALVE	AXW29A-7SR0	1	○	○	○	△
A11	HOSE CLAMP	AXW264-7SR0	4	○	○	○	
A12	SUCTION HOSE A	AXW237-7SR0	1	○	○	○	
A13	HOSE CLAMP	AXW264-6WJ0	2	○	○	○	
A14	FEED HOSE B	AXW1718-7SR0	1	○	○	○	FOR PREWASH
A16	FEED HOSE A	AXW1719-7SR0	1	○	○	○	
A17	DETERGENT CASE A	AXW2150-7SR0	1	○	○	○	
A18	HOSE CLAMP	AXW245-6ML0	2	○	○	○	
A19	FEED HOSE	AXW1250-7SR0	1	○	○	○	
A20	LEAD WIRE UNIT B	AXW14B-8CW0	1	○	○	○	△FEED VALVE
A21	DOOR UNIT	AXW1GB7SR0	1	○	○	○	(U)Includes A22
A22	DOOR HINGE	AXW192-7SR0	1	○	○	○	Included in A21
A23	BODY BAND BU	AXW1Z-7SR0	1	○	○	○	
A24	BODY B UNIT	AXW1BB7SR0	1	○	○	○	
A25	BODY SUPPORT D	AXW114B7SR0	1	○	○	○	
A26	DOOR LOCK SWITCH	AXW1619-7SR0	1	○	○	○	△
A27	PUSH SWITCH	AXW1412-7SR0	1	○	○	○	
A28	CHEMICAL COVER	AXW448-7KU0	1	○	○	○	
A29	LEAD WIRE UNIT	AXW14F-8CW0	1	○	○	○	△DOOR LOCK SW
A30	WRINGER FRAME PACKING	AXW212-7SR0	1	○	○	○	
A31	BODY BAND B	AXW172-7SR0	1	○	○	○	

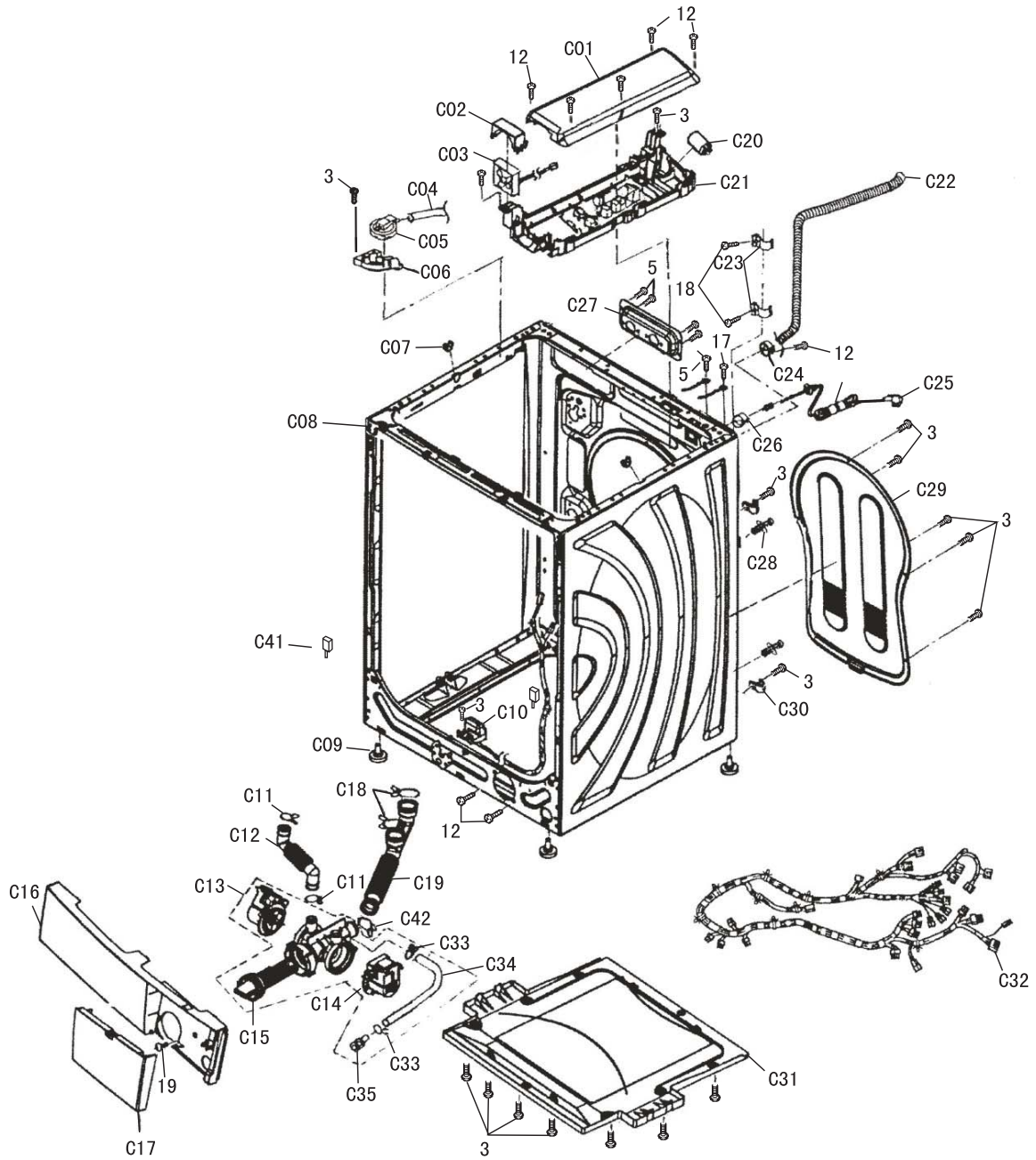
LOCATION OF PART-B



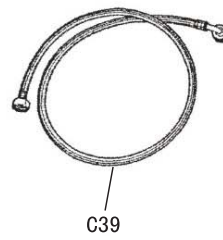
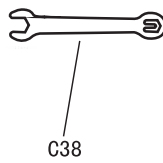
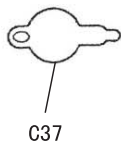
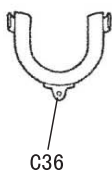
REPLACEMENT PARTS LIST-B

Ref. No.	Description	Part No.	Q'ty	Model No.			Remarks
				140VG4	168VG4	148VG4	
B01	BALANCING WEIGHT	AXW1231-7SR8	1	○	○	○	
B02	BALANCING WEIGHT	AXW1231-7SR7	1	○	○	○	
B03	BALANCING WEIGHT	AXW1231-7SR0	1	○	○	○	
B04	OUTER TUB COVER	AXW32G-8CW0	1	○	○	○	
B05	TUB SUPPORT PLATE	AXW1150-7SR0	3	○	○	○	
B06	DAMPER SPRING	AXW2331-7MJ0	2	○	○	○	
B07	DAMPER HOLDER PIN	AXW334-7EU0	3	○	○	○	
B08	THERMAL DETECTOR UNIT	AXW24N-040	1	○	○	○	TH4 \triangle
B09	OUTER TUB PACKING	AXW822-7BB0	1	○	○	○	Included in B04
B10	DRUM A UNIT	AXW22B-7SR0	1	○	○	○	With baffle plates
B11	SUSPENSION	AXW3441-7SR0	2	○	○	○	
B12	3D SENSOR	AXW24N-8CW0	1	○	○	○	\triangle
B13	CHEMICAL COVER	AXW448-7SR0	1	○	○	○	
B14	HEATER PLATE	AXW13K-7SR0	1	○	○	○	Included in B15
B15	OUTER TUB COMPLETE	AXW12A-7SS0	1	○	○	○	
B16	DAMPER SPRING	AXW2331-7SR0	1	○	○	○	Rear side
B17	HEATER UNIT	AXW13C-75105	1	○	○	○	\triangle
B18	CHEMICAL COVER	AXW448-7KU0	1	○	○	○	
B19	WATER PROTECTION COVER	AXW1238-7SA1	1	○	○	○	
B20	EARTH WIRE PLATE	AXW333-7SR0	1	○	○	○	
B21	MOTOR	AXW401-7SR0	1	○	○	○	\triangle
B22	MOTOR WASHER A	AXW420-6UN6	4	○	○	○	
B23	MOTOR WASHER B	AXW420-6UN5	2	○	○	○	
B24	WASHER	AXW518-6UN0	2	○	○	○	
B25	IMPELLER PULLEY	AXW502-7SR0	1	○	○	○	
B26	NUT	XNHAXW1801J	1	○	○	○	
B27	BELT	AXW412-7SR0	1	○	○	○	(U)

LOCATION OF PART-C



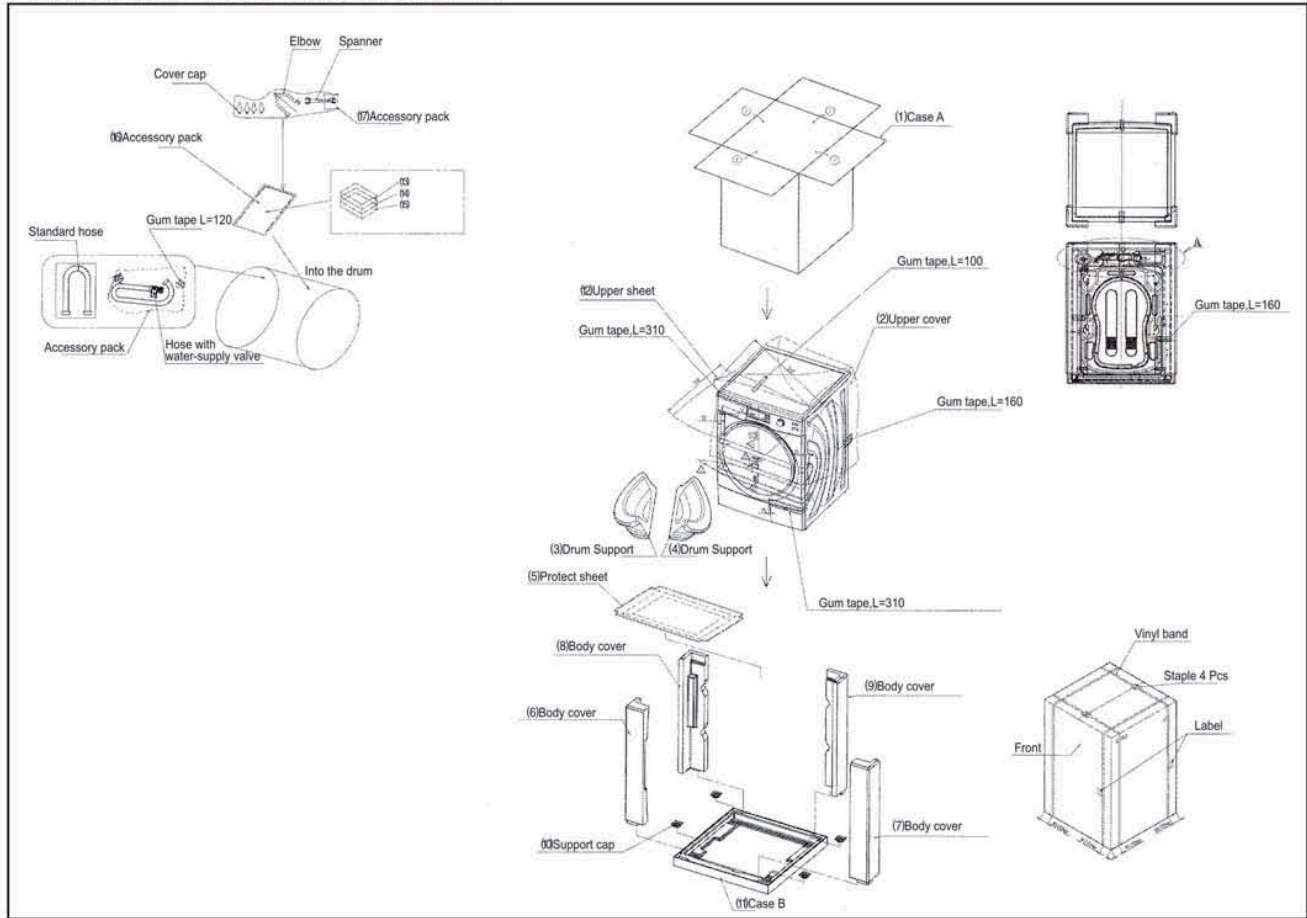
Accessories



REPLACEMENT PARTS LIST-C

Ref. No.	Description	Part No.	Q'ty	Model No.			Remarks
				140VG4	168VG4	148VG4	
C01	PC BOARD COVER C	AXW542-7SR0	1	○	○	○	
C02	FAN CAP	AXW862-7SR5	1	○	○	○	
C03	FAN UNIT	L6FAYYYH0263	1	○	○	○	△
C04	AIR HOSE A UNIT	AXW2Q-7SR0	1	○	○	○	
C05	WATER LEVEL DETECTOR	AXW24T-0360	1	○	○	○	△
C06	DETERGENT CASE C	AXW1278-7SR0	1	○	○	○	
C07	SUSPENSION HOLDER	AXW3440-7FH0	2	○	○	○	
C08	BODY UNIT	AXW1AB7SR0	1	○	○	○	Includes C09、C23、C27
C09	LEG PLATE UNIT	AXW3I-7EU0	4	○	○	○	
C10	WATER LEAK SENSOR	AXW14G-8CW0	1	○	○	○	
C11	HOSE CLAMP	AXW245-6WJ4	2	○	○	○	
C12	FEED HOSE B	AXW1260-7SR0	1	○	○	○	
C13	DRAINING PUMP UNIT	AXW8R-7SR0	1	○	○	○	△
C14	PUMP MOTOR	AXW8C-7SR0	2	○	○	○	△
C15	DRAIN FILTER	AXW2205A7SR0	1	○	○	○	(U)
C16	PANEL A	AXW130B7SR0	1	○	○	○	(U)
C17	PANEL B	AXW140B7SR0	1	○	○	○	(U)Includes Label
C18	HOSE CLAMP	AXW245-6WJ1	2	○	○	○	
C19	DRAIN HOSE B	AXW231-7SR0	1	○	○	○	
C20	NOISE FILTER	AXW2430-0400	1	○	○	○	
C21	PC BOARD W/COMPONENTS	AXW24C-8CW06	1	○	×	×	△
		AXW24C-8CX06	1	×	○	×	
		AXW24C-8CY06	1	×	×	○	
C22	DRAINING HOSE UNIT	AXW2EA7FH0	1	○	○	○	
C23	DRAIN HOSE HOLDER	AXW120A7FH0	2	○	○	○	
C24	DRAIN HOSE HOLDER	AXW170A7FH0	1	○	○	○	
C25	POWER CORD	AXW4A-8CW0	1	○	○	○	Germany/France/Spain/Italy/Holland△
		AXW4A-8FF0	1	○	○	○	UK△
C26	MAGNET RING	TFT-081813N	1	○	○	○	
C27	FEED VALVE PLATE	AXW2901-7SR0	1	○	○	○	
C28	OUTER TUB HOLDER UNIT	AXW90E-7SR0	4	○	○	○	(U)
C29	REAR PANEL	AXW156-7SR0	1	○	○	○	(U)
C30	DRAIN HOSE HOLDER	AXW120A7FH1	3	○	○	○	
C31	BOTTOM PLATE	AXW2158-7SR0	1	○	○	○	(U)
C32	LEAD WIRE UNIT	AXW14A-8CW0	1	○	○	○	△
C33	HOSE CLAMP	AXW264-6WJ0	2	○	○	○	
C34	DRAIN HOSE A	AXW230-7FH0	1	○	○	○	
C35	SUB DRAIN PORT CAP	AXW260-6WJ0	1	○	○	○	(U)
C36	ELBOW	AXW229-6WJ0	1	○	○	○	(U)
C37	COVER CAP	AXW1188-6YK0	4	○	○	○	(U)
C38	SPANNER	AXW526-7FH0	1	○	○	○	(U)
C39	STANDARD HOSE	AXW12C-7TU0	1	○	○	○	(U)
C40	HOSE WITH WATER-SUPPLY VALVE	AXW12C-7SR0	1	○	○	○	(U)GERMANY
C41	HOOK	AXW135-7FH0	1	○	○	○	
C42	HOSE CLAMP	AXW245-6WJ0	1	○	○	○	

PACKING INSTRUCTIONS



Ref. No.	Description	Part No.	Q'ty	Model No.			Remarks
				140VG4	168VG4	148VG4	
1	CASE A	AXW9001B8CW0	1	○	×	×	
		AXW9001B8CX0	1	×	○	×	
		AXW9001B8CY0	1	×	×	○	
2	UPPER COVER	AXW9060-7FH0	1	○	○	○	
3	DRUM SUPPORTER	AXW9054-7SR0	1	○	○	○	L
4	DRUM SUPPORTER	AXW9054-7SR5	1	○	○	○	R
5	PROTECT SHEET	AXW9014-7SR0	1	○	○	○	
6	BODY COVER(L)	AXW9050-7SR0	1	○	○	○	
7	BODY COVER(R)	AXW9050-7SR5	1	○	○	○	
8	BODY COVER(L)	AXW9051-7SR0	1	○	○	○	
9	BODY COVER(R)	AXW9051-7SR5	1	○	○	○	
10	SUPPORT CAP	AXW9066-7SR0	4	○	○	○	
11	CASE B	AXW90B-7SR0	1	○	○	○	
12	UPPER SHEET	AXW9069-7FH0	1	○	○	○	
13	OPERATING INSTRUCTIONS	AXW9901-8CW0	1	○	○	○	Germany
		AXW9901-8FF2	1	○	○	○	UK
		AXW9901-8FJ0	1	○	×	○	France
		AXW9901-8FL0	1	○	×	○	Spain
		AXW9901-8FN0	1	○	×	○	Italy
		AXW9901-8FR1	1	○	○	○	Turkey/poland/Czech/Hungary/ Romania/Holland/Belgium
		AXW9901-8FU1	1	○	○	○	Sweden/Norway/Finland/Denmark

Ref. No.	Description	Part No.	Q'ty	Model No.			Remarks
				140VG4	168VG4	148VG4	
14	SERVICE CENTRE	AXW9911-7FH2	1	○	×	○	
15	GUARANTEE SERVICE BOOK	AXW9923-7FH0	1	○	○	○	
		AXW9923-7MJ0	1	○	○	○	Germany
		AXW9923-7MP0	1	○	○	○	UK
16	ACCESSORY PACK	AXW9057-7FH3	1	○	○	○	Operating instructions
17	ACCESSORY PACK	AXW9057-7FH1	3	○	○	○	Power cord

SMALL STANDARDIZED METAL PARTS

Ref. No.	Description	Part No.	Q'ty	Model No.			Remarks
				140VG4	168VG4	148VG4	
1	SCREW	XTWAXW466J	3	○	○	○	
2	SCREW	XTB4+16CFJ	7	○	○	○	
3	SCREW	XTB4+10FFJ	26	○	○	○	
4	SCREW	XTB4+12GFJ	4	○	○	○	
5	SCREW	XTBAXW437J	30	○	○	○	
6	SCREW	XTB4+10CV	2	○	○	○	
7	SCREW	XTB4+12CV	1	○	○	○	
8	SCREW	XTBAXW438J	2	○	○	○	
9	SCREW	XTWAXW6521	12	○	○	○	
10	SCREW	XTWAXW6514J	19	○	○	○	
11	SCREW	XTTAXW439	2	○	○	○	
12	SCREW	XTB4+12BFJ	11	○	○	○	
13	SCREW	XVHAXW1009J	3	○	○	○	
14	NUT	XNF6FJ	1	○	○	○	
15	SCREW	XYA5+12CHFJ	1	○	○	○	
16	SCREW	XTWAXW6522	2	○	○	○	
17	SCREW	XYN5+C10BN	2	○	○	○	
18	SCREW	XTB4+8BFJ	2	○	○	○	
19	SCREW	XTT4+16BX	1	○	○	○	
20	SCREW	XTB4+16CXR	1	○	○	○	